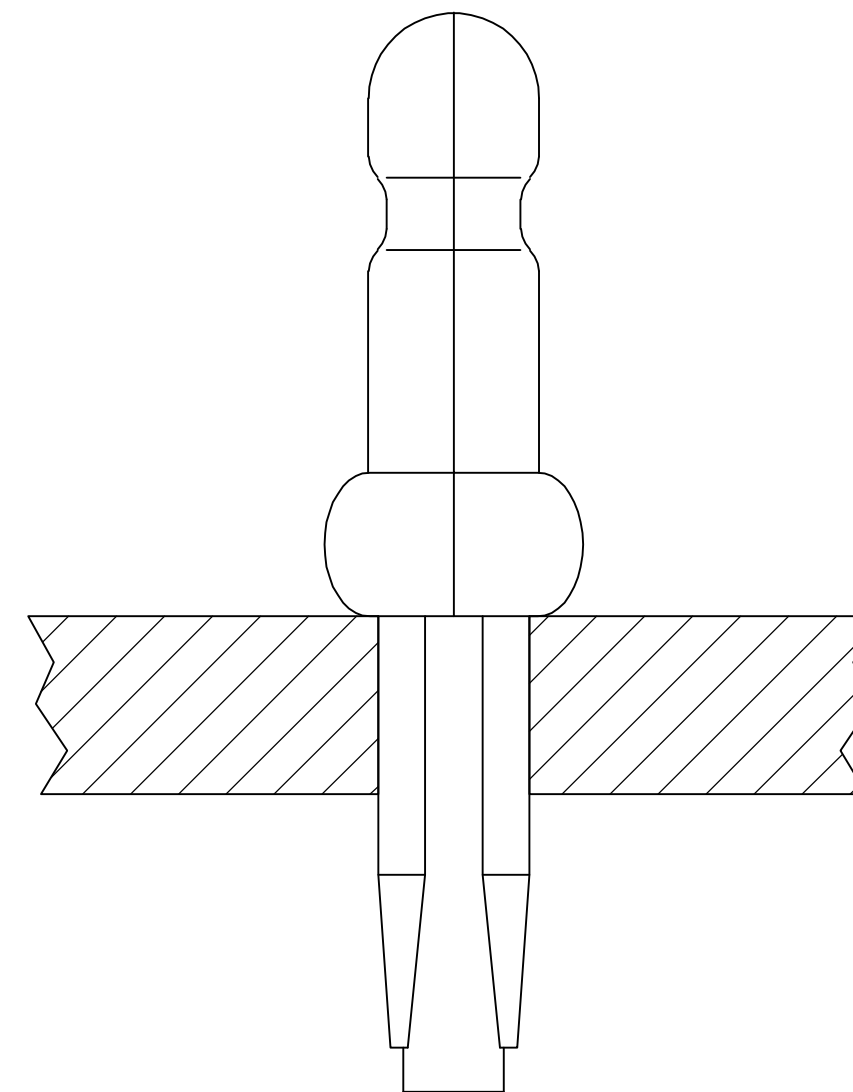
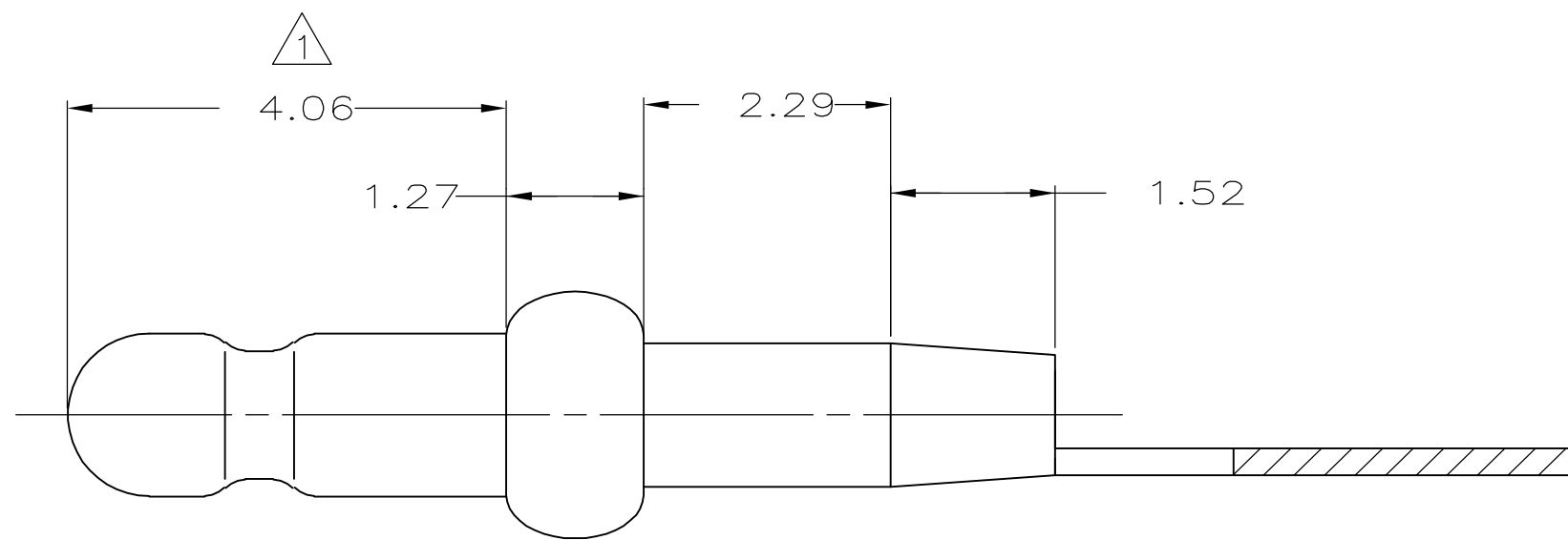
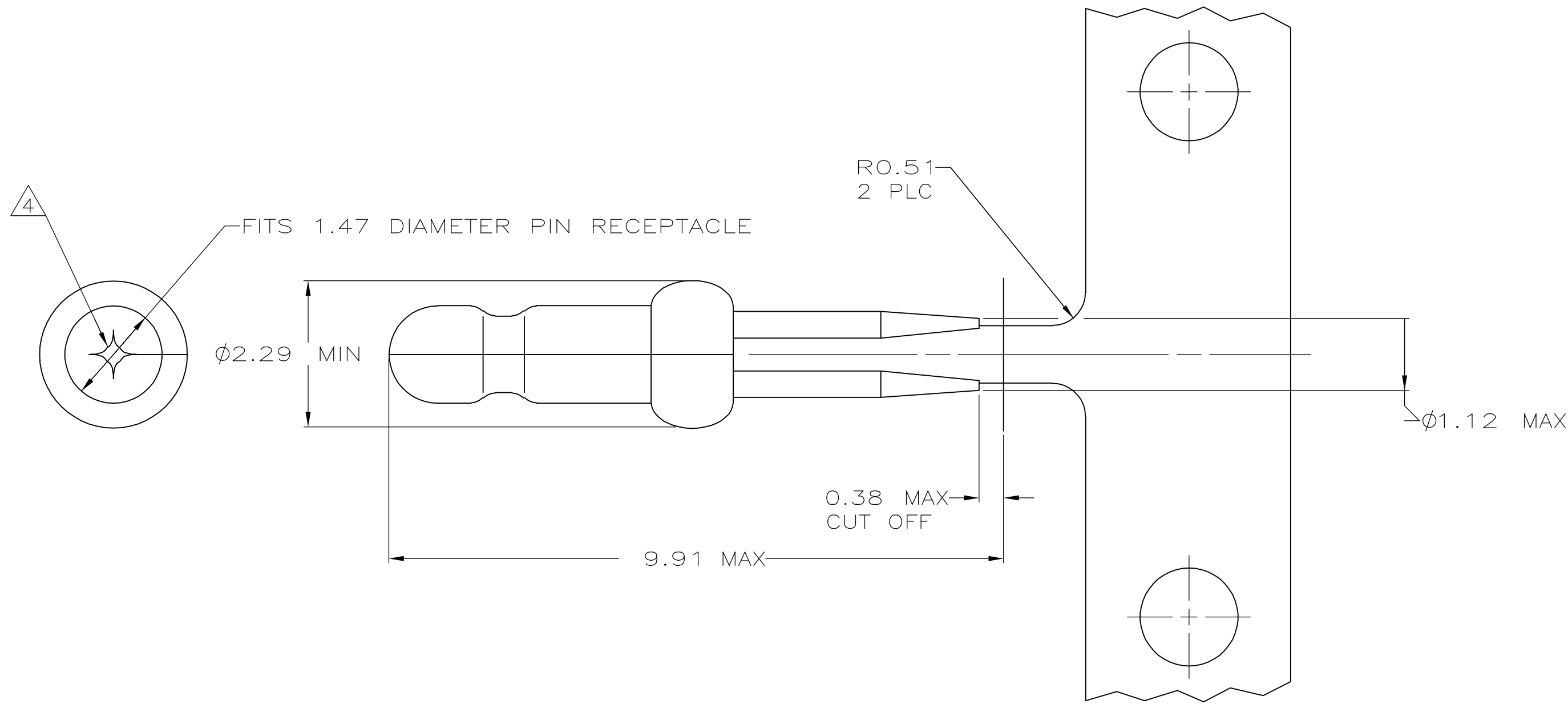


THIS DRAWING IS UNPUBLISHED. RELEASED FOR PUBLICATION  
 © COPYRIGHT BY TYCO ELECTRONICS CORPORATION. ALL RIGHTS RESERVED.

LOC		DIST		REVISIONS			
P	LTR	DESCRIPTION	DATE	DWN	APVD		
		AP1	REVISED PER ECO-05-015502	07DEC05	KW	JE	

- 1. 0.00076 MIN GOLD PLATING IN THIS AREA WITH 0.00381 MIN MATTE TIN LEAD ON THE REMAINDER, BOTH OVER 0.00127 MIN NICKEL UNDERPLATE.
- 2. FITS 1.17 - 1.27 DIAMETER HOLE IN A 1.57 OR 2.36 PRINTED CIRCUIT BOARD.
- 3. PARTS TO COMPLY WITH AMP SOLDERABILITY SPECIFICATION 109-11-3.
- 4. 0.05 - 0.25 DIAMETER OPENING REQUIRED IN TIP OF PIN.
- 5. APPLICATOR FEED: 8.00 - 8.26
- 6. 0.00076 MIN GOLD PLATING IN THIS AREA WITH 0.00381 MIN MATTE TIN ON THE REMAINDER, BOTH OVER 0.00127 MIN NICKEL UNDERPLATE.



6	3-60802-1
PRE TIN	60802-2
1	60802-1
FINISH	PART NUMBER

0.13	.005	1.17	.046	2.29	.090	9.91	.390
0.05	.002	1.12	.044	1.57	.062	8.26	.325
0.00381	.000150	0.51	.020	1.52	.060	8.00	.315
0.00127	.000050	0.38	.015	1.47	.058	4.06	.160
0.00076	.000030	0.25	.010	1.27	.050	2.36	.093
MM	IN	MM	IN	MM	IN	MM	IN

CONVERSION TABLE

METRIC

THIS DRAWING IS A CONTROLLED DOCUMENT.

DWN	T. BECK	7-28-97
CHK	R. SWING	7-28-97
APVD	A. BEDDICK	9-10-97
PRODUCT SPEC	108-1025	
APPLICATION SPEC	114-1008	
WEIGHT	-	
CUSTOMER DRAWING	SCALE 15:1	SHEET 1 of 1

MATERIAL: 0.25 PH BRZ      FINISH: SEE TABLE

tyco Electronics      Tyco Electronics Corporation  
Harrisburg, PA 17105-3608

NAME: PIN, .058 DIAMETER, PHOSPHER BRONZE, PRESS FIT, P.C. CONTACT

SIZE: A2      CAGE CODE: 00779      DRAWING NO: C=60802      RESTRICTED TO: -

REV: AP1